

# Jaw Crusher



Design by : [www.corefocus.in](http://www.corefocus.in)



**AMBICA**  
CRUSHTECH PVT. LTD.

More detail please visit us [www.kohinoorjawcrushers.com](http://www.kohinoorjawcrushers.com)

#### **FIELDS OF APPLICATION**

Jaw Crushers are used for primary crushing of a wide variety of materials in the mining, iron and steel as well as pit and quarry industries. Furthermore they are used in recycling processes.

#### **FEED MATERIALS**

Rock ranging from medium-hard to extremely hard, as well as different kinds of ore, building rubble, glass and other hard materials.



Double Toggle Jaw Crusher, type 2121/10-08



**More detail please visit us [www.kohinoorjawcrushers.com](http://www.kohinoorjawcrushers.com)**

## MODE OF OPERATION

Jaw Crushers are equipped with one fixed and one moveable crushing jaw (wear parts) forming a wedge-shaped crushing area. The side walls of the crushing area are made of replaceable wearing sheets. Crushing is carried out between the two crushing jaws. The moving jaw of the Single Toggle Jaw Crusher moves elliptically. A pendulum motion is being carried out by the Double Toggle Jaw Crusher.

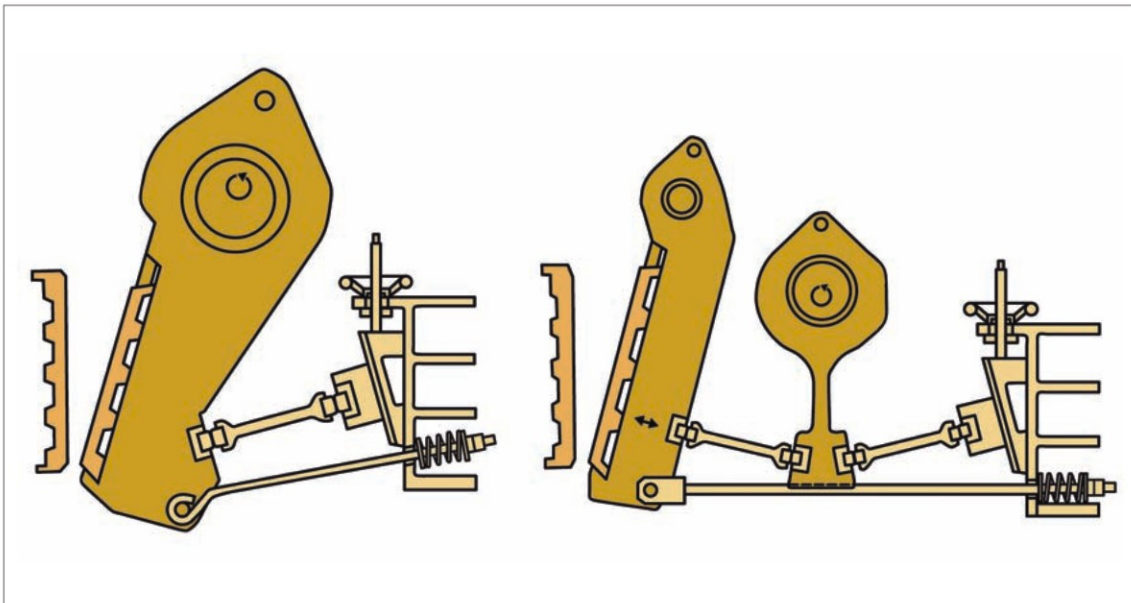
The crushing force is produced by an eccentric shaft. Then it is transferred to the crushing area via a toggle plate system and supported by the rear of the housing of the machine. Spring pulling rods keep the whole system in a condition of non-positive connection. Centrifugal masses on the eccentric shaft serve as compensation for heavy loads. A flywheel is provided in form of a pulley.

The favourable angle of dip between the crushing jaws has a positive impact on the intake conditions of the feed material. The final grain size distribution is influenced by both the adjustable gap as well as the appropriately selected tooth shape for the crushing plates.

## SPECIAL FEATURES

An adjustable wedge system ensures infinite adjustment of the gap width. Spindles exert a direct influence on the thrust-bearing trestle. All parts of the adjusting system are easily accessible, maintenance-free and can quickly be replaced.

All toggle plates are provided with replaceable tempered pressure bars on both sides, which work according to the move-on-rolling-contact principle. They are maintenance-free. A lubrication system ensures sufficient grease supply to all other bearing points.



Single Toggle Jaw Crusher

Double Toggle Jaw Crusher



More detail please visit us [www.kohinoorjawcrushers.com](http://www.kohinoorjawcrushers.com)

## DESIGN

Single Toggle Jaw Crushers are provided in heavy-duty and light versions with welded steel housing and a moving jaw in welded or cast steel version as well as an eccentric shaft made of high-grade forged steel.

The Jaw Crushers with a double toggle system are provided with either heavy or light welded steel housings, with a moving jaw and a pulling rod in either welded or cast steel version as well as an axis and an eccentric shaft made of high-grade forged steel.

## VERSATILITY

Depending on the application, the following designs are available:

- Single Toggle Jaw Crushers in heavy-duty or light versions
- Double Toggle Jaw Crushers in heavy-duty or light versions
- gap setting and overload protection by built-in hydraulic cylinders
- Single Toggle Jaw Crusher with hydraulic gap adjustment and integrated overload protection
- designed as mobile, semi-mobile or stationary with a crawler mounted system, as a trailer, with skids or fixed on foundations
- automatic lubrication of all bearing points

## ADVANTAGES

- high and constant capacity
- high operational reliability
- long service and lifetime
- broad range of application
- easy replacement of wear and spare parts
- low maintenance requirements

## SCOPE OF APPLICATION

- feed size: up to approx. 1250 mm
- product size: up to < 20 mm depending on the feed material and its size
- capacity: up to 450 m<sup>3</sup>/h
- reduction ratio: up to 1:7
- required power: up to 200 kW



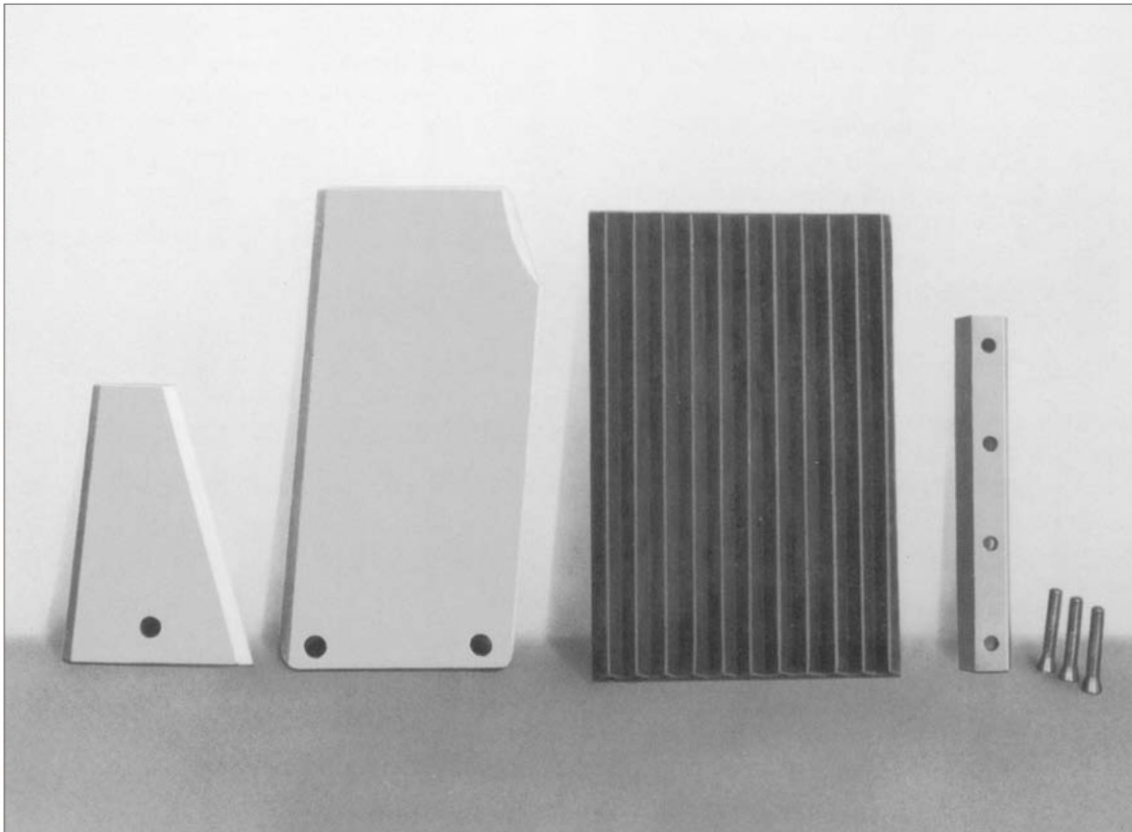
More detail please visit us [www.kohinoorjawcrushers.com](http://www.kohinoorjawcrushers.com)



## WEAR PARTS

The crushing plates made of highly wear-resistant austenitic manganese steel casting are designed in such a way that they can easily be turned after having loosen the clamping parts.

The easily replaceable side wedges are made of wear-resistant sheet steel or steel casting.

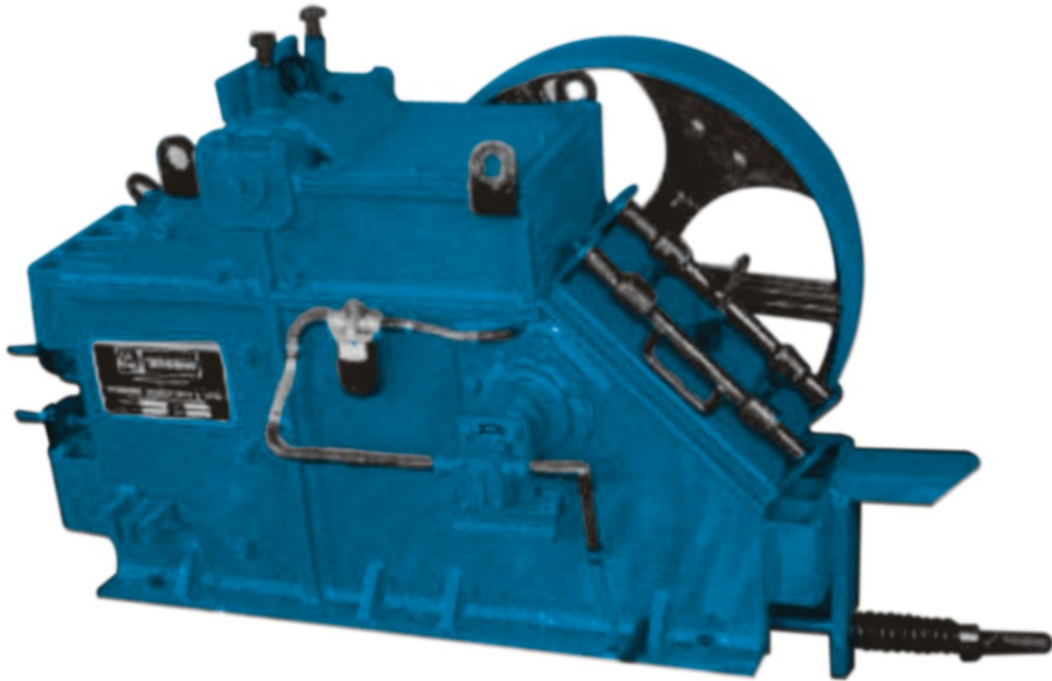


Lower side wedge, upper side wedge, crushing jaw, wedge and assembly screws



More detail please visit us [www.kohinoorjawcrushers.com](http://www.kohinoorjawcrushers.com)

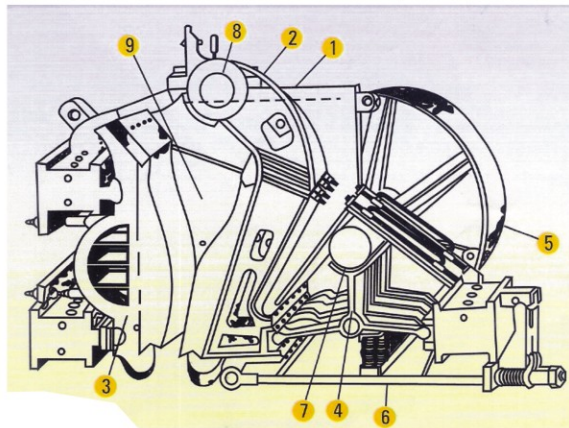
# Double Tollegle Jaw Crusher



Size : 8" X 4"  
48" X 44"

## Fields of Application

Jaw Crushers are used for primary and secondary crushing of a wide variety of materials in the mining, iron and steel as well as pit and quarry industries. Furthermore they are used in recycling processes.



More detail please visit us [www.kohinoorjawcrushers.com](http://www.kohinoorjawcrushers.com)

265, G.I.D.C. Makarpura, Vadodara - 390 010, Gujarat, INDIA.

Ph.: (0) 0265-2637003, 2643575

Mo.: 94264 21066, 98242 51329, 94267 21068

Tel. Fax: 0265-2637003,2643575

E-mail: [actpl@sancharnet.in](mailto:actpl@sancharnet.in), [actpl\\_5000@yahoo.com](mailto:actpl_5000@yahoo.com)